

AIZX-50



**Brown Rice Unit
AIZX-50**

ZACCARIA

AIZX-50

Model:

AIZX-50

Motors:

Paddy husker
7.5 hp (5.6 kw)

Paddy separator

2.0 hp (1.5 kw)

Input capacity paddy rice per hour:

4840 - 5720 lbs. (2200 to 2600 kg)

Approx. shipping volume cu. ft. (m³):

358 (10.13)

Approx. shipping weight lbs. (kg):

3115 (1416)

Dimensions inches (mm):

A - 113.7 (2915)

B - 74.5 (1910)

C - 70.6 (1810)

D - 85.2 (2185)

Brown Rice Unit COMPACT AIZX-50

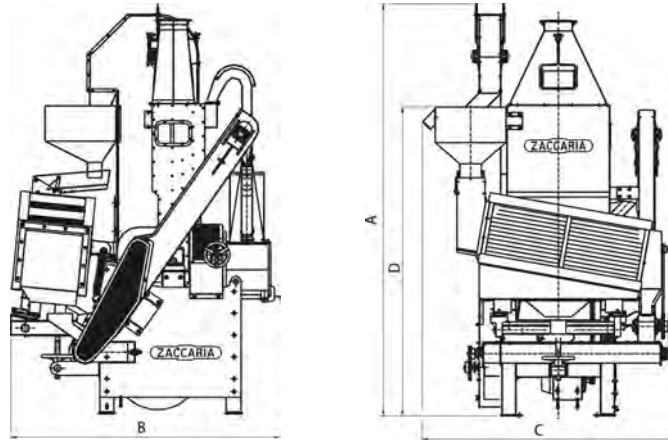
Zaccaria has the right model choice to meet your needs. The ZX series machines were developed for the purpose of meeting the requirements of established millers as well as new processors and can process up to 5720 lbs. (2600 kg) per hour of paddy with low power consumption and excellent yields, while providing a high quality final product. The Brown Rice Unit, model AIZX-50 is a modular and compact unit which is composed of a paddy husker; with 10"x10" rubber rolls; a husk separation air chamber, and paddy separator with corrugated stainless steel deck. It allows the arrangement of one or more brown rice production units to feed a new or existing whitening machine. This unit is the right solution for producers getting started or those who want to add a brown rice production line to an existing mill.

MAIN FEATURES

- Three operations: husking, husk separation, and paddy separation in a single unit;
- Feed and unhusked paddy recycle conveying is included with the unit;
- Individual drive motors, for the paddy husker and for the paddy separator and conveyors;
- Husk aspiration is done by a pneumatic system.

ADVANTAGES

- Permits modular assembling and expansion;
- Permits total control of process;
- Easy maintenance;
- Compact design;
- Low power consumption.



OUR EXPERIENCE MAKES THE DIFFERENCE

ZACCARIA USA

4704 Glenwood Ln. Anna, Texas 75409 USA

Tel: 1 (972) 924-3443 | Fax: 1 (972) 499-2379

Email: ZaccariaUSA@gmail.com | www.ZaccariaUSA.com



Indústrias Machina Zaccaria S/A reserves the right to change the information stated in this catalogue, including the color and details of the machine, without prior notice.