



Compact Rice
Milling Machine
COMPACT ZX-3

ZACCARIA

ZX-3

Compact Rice Milling Machine COMPACT ZX-3

The ZX-3 Compact Rice Milling Machine was developed to meet the requirements of farms and small rice mills. The model ZX-3 is modern and has the same performance as the large capacity milling equipment that guarantees excellent yield and kernel finish on most rice varieties in a small area with very low power consumption. The milling equipment is made from the highest quality materials and precise manufacturing techniques, followed by rigorous quality control testing.

Model:
COMPACT ZX-3

Motor:
Three-phase electric motor:
5 hp (3.7 kw)

Single-phase electric motor:
7.5 hp (5.5 kw)

Diesel motor:
7.5 hp / 2400 rpm

Inlet capacity on paddy rice:
572 lbs. (260kg)

Approx. shipping volume cu. ft. (m³):
51.2 (1.45)

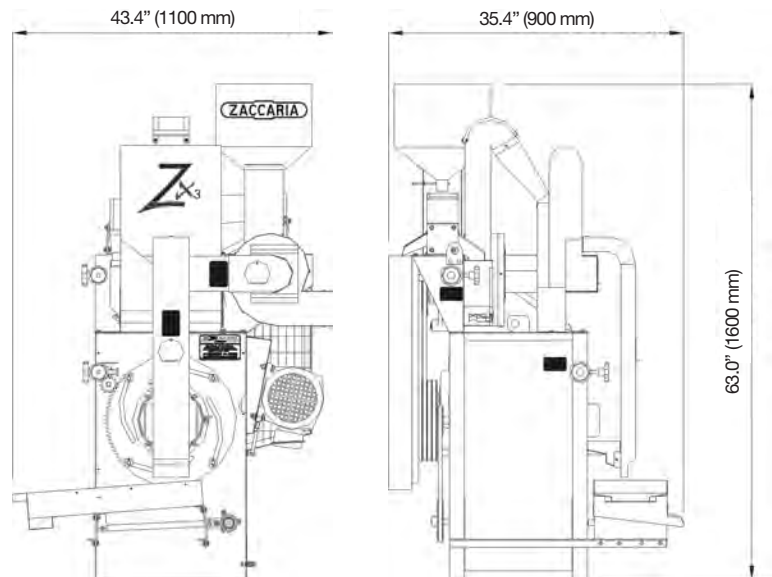
Approx. shipping weight without motor lbs. (kg):
297 (135)

THE MACHINE CONSISTS OF

- Feed hopper;
- Pre cleaner to remove impurities;
- Husker and husk separation chamber;
- Fan for husk suction;
- Horizontal abrasive whitener with easily interchangeable screens and brakes.
- Simple and quick adjustment;
- Vibrating screen for sifting out broken kernels.

OPTIONS

- Kit for diesel drive;
- Cyclone assembly for husk separation;
- Support stand;
- Filling elevator with reception hopper;
- Length separation cylinders with elevator and spouts for bagging;
- Electric motor;
- Pre-Cleaner RURAL PLRZ-1.



Note:
For maximum performance, paddy moisture content should be between 12 to 13%.

Indústrias Machina Zaccaria S/A reserves the right to change the information stated in this catalogue, including the color and details of the machine, without prior notice.

ZACCARIA

OUR EXPERIENCE MAKES THE DIFFERENCE

ZACCARIA USA

4704 Glenwood Ln. Anna, Texas 75409 USA

Tel: 1 (972) 924-3443 | Fax: 1 (972) 499-2379

Email: ZaccariaUSA@gmail.com | www.ZaccariaUSA.com

