

AIZX-25



Brown Rice  
and Whitening Unit  
**COMPACT AIZX-25**

**ZACCARIA**

# AIZX-25

**Model:**

AIZX-25

**Motor:**

30 hp (22.5 kw)

**Input capacity on paddy per hour:**

2310 - 2750 lbs. (1050 to 1250 kg)

**Capacity of milled rice per hour:**

1650 - 1980 lbs. (750 to 900 kg)

**Approx. shipping volume cu. ft. (m³):**

247 (7)

**Approx. shipping weight lbs. (kg):**

2245 (1020)

**Dimensions inches (mm):**

A - 126.75 (3250)

B - 50.70 (1300)

C - 70.79 (1815)

D - 101.40 (2600)

## Brown Rice and Whitening Unit COMPACT AIZX-25

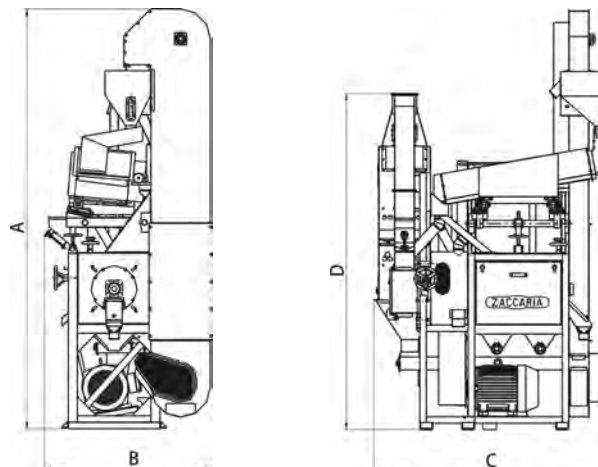
Zaccaria has the right model choice to meet your needs. The ZX Series machines were developed for the purpose of meeting the requirements of small rice millers, supplying machines of low power consumption with excellent yields, while providing a high quality final product. The Brown Rice and Whitening Unit, model AIZX-25, is a compact machine capable of processing up to 2750 lbs. (1250 kg) per hour of paddy rice. It is composed of a paddy husker that uses 6" x 8-3/4" rubber rolls, husk separation air chamber, paddy separator with corrugated deck and a whitener for removal of the bran layer and germ from the rice kernels through abrasive action, providing a higher percentage of whole kernels and better surface finishing. This unit is the right solution for producers getting started or those who want to add a small product line to an existing mill.

### MAIN FEATURES

- Four operations in one unit: husking, husk separation, paddy separation and whitening;
- Feed conveying is included with the unit;
- A single motor drive for the complete unit;
- Husk aspiration is done by a pneumatic system;
- Bran aspiration is done by a pneumatic system;
- Magnetic separation is included prior to the whitener.

### ADVANTAGES

- Permits modular assembly and expansion;
- Permits the total control of the process;
- Easy maintenance;
- Compact design.



OUR EXPERIENCE MAKES THE DIFFERENCE

### ZACCARIA USA

4704 Glenwood Ln. Anna, Texas 75409 USA

Tel: 1 (972) 924-3443 | Fax: 1 (972) 499-2379

Email: ZaccariaUSA@gmail.com | [www.ZaccariaUSA.com](http://www.ZaccariaUSA.com)



Indústrias Machina Zaccaria S/A reserves the right to change the information stated in this catalogue, including the color and details of the machine, without prior notice.