

WPZ-30/S



Water Polisher
WPZ-30/S

ZACCARIA

WPZ-30/S

Model: WPZ-30/S

Motor:
20 hp (15 kw)

Capacity on white rice lbs. (kg)/hour:
Up to 3960 (1800)

Approx. shipping volume cu. ft. (m³):
141 (4)

Approx. shipping weight lbs. (kg):
880 (400)

Water consumption gallons (l)/hour:
8 (30)

**Required air pressure for
bran extraction inches (mm) H2O:**
6 (150)

**Required air volume for
bran extraction CFM (m³/min):**
720 (20)

Dimensions inches (mm):

A	B	C
56.1 (1425)	81.1 (2060)	23.6 (600)



Model:
EFZ-3

Fan:
5 hp (3 kw)

Rotary valve:
0.5 hp (0.36 kw)

For optimal bran extraction, we recommend the use of Zaccaria Aspiration System model EFZ-3.

Note:
* Consult us on capacity for processing parboiled rice.

Indústrias Machina Zaccaria S/A reserves the right to change the information stated in this catalogue, including the color and details of the machine, without prior notice.

Water Polisher WPZ-30/S

The Water polisher model WPZ-30/S, has been developed to provide better final surface for white rice.

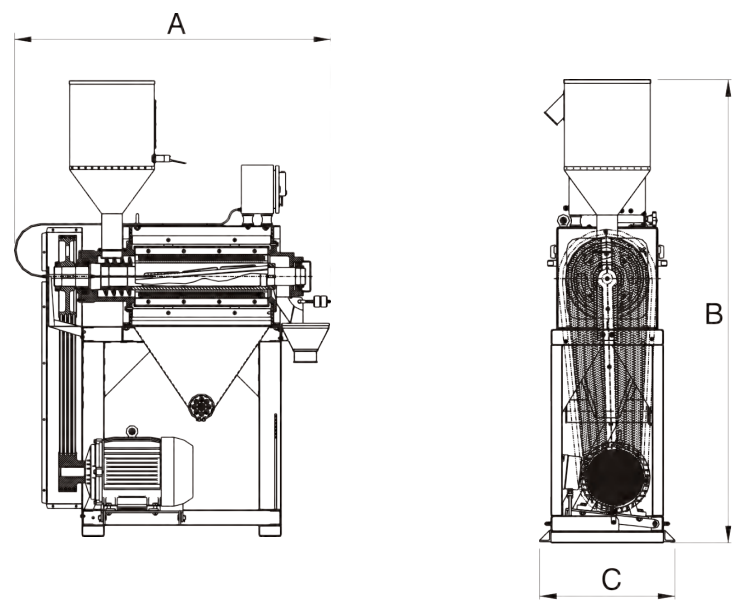
The machine has a rotor which is specially designed to exert the right pressure upon the grains in a controlled humid environment, removing the adhering bran without scratching or altering the shape of the rice grains. The result is an excellent surface finishing, as the polished rice kernels will have a glossy and translucent appearance.

MAIN FEATURES

- Machine structure made of steel;
- Bran collecting hopper is made of stainless steel;
- Equipped with a control panel for the monitoring the motor amperage, which controls the product level and flow rate;
- Screen mounting structure is made of steel.

ADVANTAGES

- Cleaner looking final product, with higher commercial value;
- The milled rice can be stored longer because the surface of rice kernels is clean and free of bran;
- Cleaner rice provides better performance of subsequent operations such as sizing, color sorting, etc.



OUR EXPERIENCE MAKES THE DIFFERENCE

ZACCARIA USA
4704 Glenwood Ln. Anna, Texas 75409 USA
Tel: 1 (972) 924-3443 | Fax: 1 (972) 499-2379
Email: ZaccariaUSA@gmail.com | www.ZaccariaUSA.com

