

WPZ-1/HC



Hot Water Polisher
with Conditioner
WPZ-1/HC

ZACCARIA

WPZ-1/HC

Water Polisher with Conditioner WPZ-1/HC

Currently, Rice Milling companies are searching for something special to improve the final product quality so Zaccaria developed the hot water polisher model WPZ-1/HC. Designed to use a continuous conditioning system with hot water coupled with the device, makes this machine extraordinary and unique.

The pre-conditioning with hot water guarantees better distribution of the moisture in the surface of rice kernels, as they enter the polisher chamber to finish the process giving an excellent, lasting shiny surface and cleaning grains of fine bran.

Model:

WPZ-1/HC

.....

Motors:

Main Motor
40 hp (30 kw)

GearMotor
0.75 hp (0.55 kw)

.....

Capacity: inlet of rice* lbs. (kg)/hour:

Up to 9240 (4200)

.....

Approx. shipping volume cu. ft. (m³):

282 (8)

.....

Approx. shipping weight lbs. (kg):

2112 (960)

.....

Dimensions inches (mm):

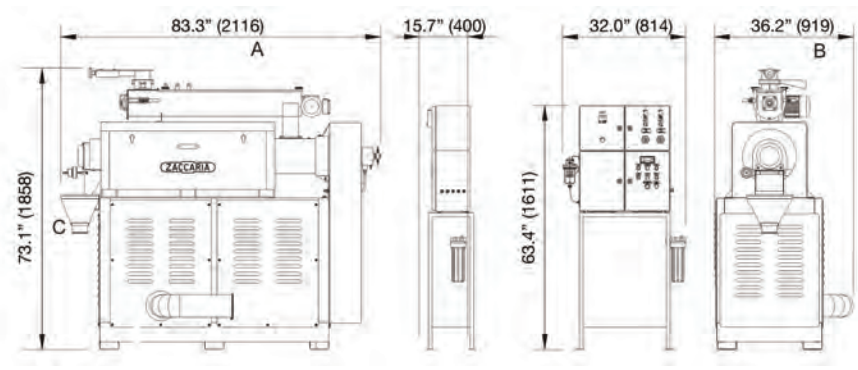
- A - Length 83.3 (2116)
- B - Width 36.2 (919)
- C - Height 73.1 (1858)

ADVANTAGES

- Low percentage of broken grains;
- Excellent superficial finishing in the grains without dust residues;
- Excellent shining and polishing aspect;
- In our conditioning process, the grains receive water coverage consistently and uniformly on the kernel surface;
- A product, with an excellent visual appeal gives greater package presentation.

TECHNICAL CHARACTERISTICS

- Conditioner unit is made of stainless steel;
- Exclusive air circulation system for the interior, ensures the internal walls stay dry, preventing accumulation of dust as well as avoid fungus or other contamination;
- Exclusive disassembly of the conditioning system, promoting faster cleaning and maintenance;
- A new intermediary water heating system, allows adaptation of this system on existing Zaccaria water polishers.



Note:

* Production in lbs. or kg/h, based on tests of long grain rice.

For the better optimization at the polishing process, we advice to use the complete Zaccaria milling system.

.....

Indústrias Machina Zaccaria S/A reserves the right to change the information stated in this catalogue, including the color and details of the machine, without prior notice.



OUR EXPERIENCE MAKES THE DIFFERENCE

ZACCARIA USA

4704 Glenwood Ln. Anna, Texas 75409 USA
Tel: 1 (972) 924-3443 | Fax: 1 (972) 499-2379
Email: ZaccariaUSA@gmail.com | www.ZaccariaUSA.com

