

WPZ-1 D/S



Water Polisher
WPZ-1 D/S

ZACCARIA

WPZ-1 D/S

Model: WPZ-1 D/S

.....
Motors:

Main motor
75 hp (55 kw)
Gearmotor
0.75 hp (0.55 kw)

.....
Capacity: inlet of rice* lbs. (kg)/hour:

Up to 9240 (4200)

.....
Water polisher system:

Water outflow gallons (l)/hour
100 (26)
Air outflow CFM (l)/min
10 (300)

.....
Extraction of bran:

Air pressure inches (mm) H₂O
6 (-150)
Air outflow CFM (m³/min)
2880 (80)

.....
Approx. shipping volume cu. ft. (m³):

212 (6)

.....
Approx. shipping weight lbs. (kg):

4510 (2050)

.....
Dimensions inches (mm):

A - Length 76.8 (1951)
B - Width 58.0 (1475)
C - Height 74.1 (1884)



Note: * Production in kg/h, based on tests with Brazilian rice type long grain rice.

For the better optimization at the polishing process, we advice to use the complete Zaccaria milling system.

.....
Indústrias Machina Zaccaria S/A reserves the right to change the information stated in this catalogue, including the color and details of the machine, without prior notice.

Water Polisher WPZ-1 D/S

The rice milling companies are looking to gain physical space in the mill and a better shine on an excellent final product. Knowing this, Zaccaria developed a new line of compact polishers.

The new polisher model WPZ-1 D/S has a design of two water polishers WPZ-1 assembled in series, in one structure.

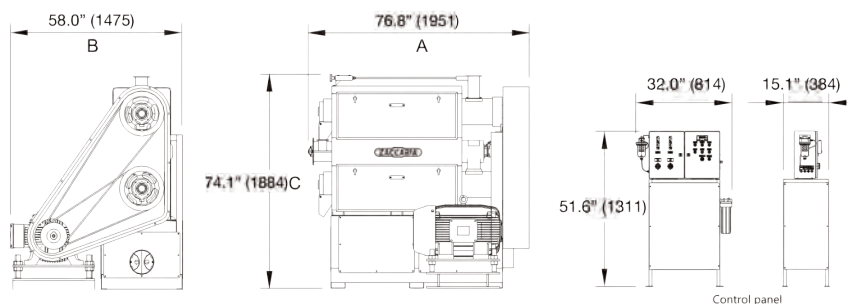
This layout with pass and repass, provides excellent polishing of the grains, eliminating fine bran and dust, while decreasing the consumption of electrical energy when compared with two separate machines.

ADVANTAGES

- Low percentage of broken grains;
- Excellent surface finishing of the grains without dust residues;
- Excellent shining aspect;
- Pass and repass in only one structure;
- Save electric energy in relation a conventional polishers;
- Easy operation in a compact machine;
- After WPZ-1 D/S, the grains are free of bran dust so, they can be stored for an extended time.

TECHNICAL CHARACTERISTICS

- A single electrical motor drive for the both polishing passes;
- A single structure for both polishers and the physical floor space occupied is approximately the same as conventional polisher;
- Electrical panel contains the water tank, pump, water outflow control for both polishers, as well as the amperage control of the main motor to indicate power loading; which will shut off the product inlet and close the water feed in case of over amperage of motor;
- Exclusive screens with 10 faces guarantee an excellent and uniform polishing; avoiding however to cause damage to the grains.



OUR EXPERIENCE MAKES THE DIFFERENCE

ZACCARIA USA

4704 Glenwood Ln. Anna, Texas 75409 USA

Tel: 1 (972) 924-3443 | Fax: 1 (972) 499-2379

Email: ZaccariaUSA@gmail.com | www.ZaccariaUSA.com

