

WPZ-1 D/P



Water Polisher
WPZ-1 D/P

ZACCARIA

WPZ-1 D/P

Model:

WPZ-1/DP

Motor:

75 hp (55 kw)

Capacity: inlet of rice:

75 hp (55 kw)

Water polisher system:

Water outflow gallons (liters)/hour
26 (100)

Air outflow CFM (liters/min)

10,800 (300)

Extraction of bran:

Air pressure inches (mm) H2O

Up to 6 (-150)

Air outflow CFM (m³/min)

2880 (80)

Approx. shipping volume cu. ft. (m³):

213 (6.0)

Approx. shipping weight lbs. (kg):

4510 (2050)

Dimensions inches (mm)

Length - 74.6 (1912)

Width - 57.5 (1475)

Height - 73.5 (1884)



Note:

* Production in lbs. or kg/h, based on tests with long grain rice.

Indústrias Machina Zaccaria S/A reserves the right to change the information stated in this catalogue, including the color and details of the machine, without prior notice.

Water Polisher WPZ-1 D/P

The rice milling companies are looking for earn physical space into his mill and a better shine with an excellent final product. Knowing this, Zaccaria developed his new line of compact polisher.

The new polisher model WPZ-1 D/P has a design of two water polishers WPZ-1 assembled in parallel, in only one structure.

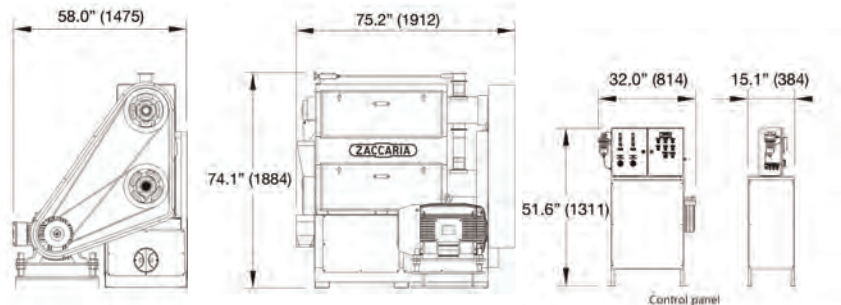
This layout provides double capacity in approximately the same physical space occupied for the conventional polisher, also decreases the consumption of electrical energy if compared with two machines separated.

ADVANTAGES

- Low index of broken grains;
- Excellent superficial finishing in the grains without dust residues;
- Excellent shining aspect;
- Double capacity in only one structure;
- Save electric energy in relation a conventional polishers;
- Easy operation in a compact machine;
- Easy transportation (logistic) of equipment;
- After WPZ-1 D/P, the grains are exempt of line bran dust so, they can be stocked for more time.

TECHNICAL CHARACTERISTICS

- A single electrical motor drive for the two polishers;
- A single structure to shelter two polishers, the physical space occupied is approximately the same of a conventional polisher;
- Electronical panel with water tank, pump, rotameter (water flow control), amperage control of main motor (security system which close the feeding and shut down the water in case of over amperage of motor);
- Exclusive screens with 10 faces guarantee an excellent and uniform polishing; avoiding however to cause damage to the grains.



OUR EXPERIENCE MAKES THE DIFFERENCE

ZACCARIA USA

4704 Glenwood Ln. Anna, Texas 75409 USA

Tel: 1 (972) 924-3443 | Fax: 1 (972) 499-2379

Email: ZaccariaUSA@gmail.com | www.ZaccariaUSA.com

