

SMAZ



Paddy
Separator
SMAZ

ZACCARIA

SMAZ

Paddy Separator SMAZ-1&2

The Zaccaria Paddy Separator model SMAZ is a compact screen-type machine which is able to separate the paddy from brown rice at high efficiency. The separation takes place on the surface of stainless steel deck which features an indented surface with a unique configuration. The high production capacity and efficiency is possible due to different physical properties in the paddy and brown rice (such as specific gravity and length), coupled with a complex movement of the decks and an exclusive product distribution system developed by Zaccaria.

Model:

SMAZ-1 SMAZ-2

Motors:

3 hp (2.20 kw) 3 hp (2.20 kw)

Output capacity lbs. (kg)/hour brown rice:

Up to 7260 (3300) Up to 14,520 (6600)

Approx. shipping weight lbs. (kg):

1896 (862) 2787 (1267)

Approx. shipping volume cu. ft. (m³):

314 (8.9) 314 (8.9)

Overall dimensions inches (mm):

	A	B	C
SMAZ-1	92.9 (2360)	88.6 (2250)	65.4 (1660)
SMAZ-2	96.5 (2450)	88.6 (2250)	65.4 (1660)



Notes:

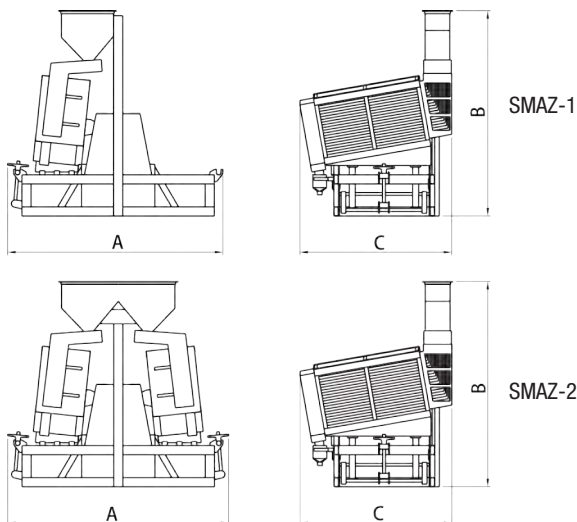
The maximum capacity can only be reached if the husking efficiency is higher than 85%. For maximum performance, paddy moisture content should be within 12 to 13%. Capacity based on tests with thin long rice grain.

ADVANTAGES COMPARED TO CONVENTIONAL SEPARATORS

- Less floor space required;
- Lower power consumption;
- Higher production capacity;
- Higher efficiency;
- Low maintenance costs;
- Easier operation;
- Stainless steel indented screens.

CONSTRUCTION CHARACTERISTICS

- Strong tubular construction, making the unit rugged and lightweight;
- Wear parts such as bearings and belts are standard and easily found locally;
- Level sensors guarantee constant feed control.



OUR EXPERIENCE MAKES THE DIFFERENCE

ZACCARIA USA

4704 Glenwood Ln. Anna, Texas 75409 USA
 Tel: 1 (972) 924-3443 | Fax: 1 (972) 499-2379
 Email: ZaccariaUSA@gmail.com | www.ZaccariaUSA.com



Indústrias Machina Zaccaria S/A reserves the right to change the information stated in this catalogue, including the color and details of the machine, without prior notice.