

# SDZ/CF-2S



Destoner  
**SDZ/CF-2S**

**ZACCARIA**

# SDZ/CF-2S

**Model:**  
SDZ/CF-2S

**Motor:**  
1.5 hp (2x), 1.1 kw (2x)

**Inlet capacity brown rice\* lbs. (kg)/hr.:**  
Up to 30,800 (14,000)

**Pressure of compressed air power:**  
bar (kgf/cm<sup>2</sup>)      PSI  
8                              115

**Compressed air consumption:**  
(l/min)                      CFM  
0.11                              0.004

**Air requirement:**  
Air flow required CFM (m<sup>3</sup>/min)  
360 (10)

**Approx. shipping volume cu. ft. (m<sup>3</sup>):**  
240 (6.8)

**Approx. shipping weight lbs. (kg):**  
1507 (685)

**Dimension inches (mm):**  
Length 77.4 (1965)  
Width 48.9 (1242)  
Height 93.5 (2374)



**Note:**  
\* Production capacity for beans and other grains please contact our office.

Indústrias Machina Zaccaria S/A reserves the right to change the information stated in this catalogue, including the color and details of the machine, without prior notice.

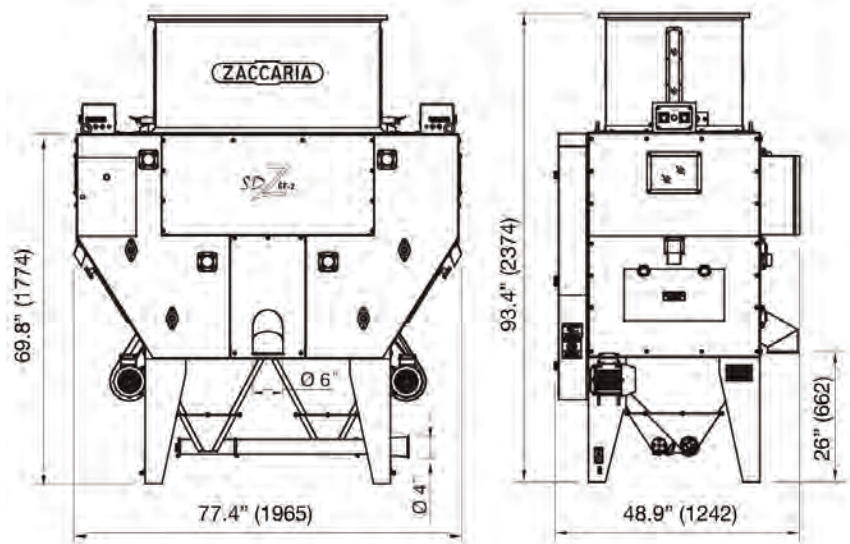
## Destoner SDZ/CF-2S

The Zaccaria Destoner, model SDZ/CF-2 Super, was developed to separate heavy impurities from grains, including cereals and beans, such as stones, glass, and metal. The machine uses the gravity differential as a principle working to separate such heavy waste, by vibratory action, deck inclination and airflow in a closed circuit system that ensures a high efficiency separation without the burden of dust filtration.

**Note:** The raw material to be processed should contain a maximum of 1.5% heavy impurities.

### TECHNICAL CHARACTERISTICS

- Feed hopper level sensors (hi and low) ensure a constant flow;
- Flow control with fine calibrated adjustment;
- Timers control the discharge of impurities by frequency and duration;
- Decks made of stainless steel;
- Adjustment for the deck inclination;
- Inspection windows for easy viewing of the separation;
- Sample collector at the product outlet;
- Connection port for dust extraction;
- Replacement parts (belts and bearings) easily found in the marketplace locally;
- Supplied with electric motor control panel.



OUR EXPERIENCE MAKES THE DIFFERENCE

### ZACCARIA USA

4704 Glenwood Ln. Anna, Texas 75409 USA

Tel: 1 (972) 924-3443 | Fax: 1 (972) 499-2379

Email: ZaccariaUSA@gmail.com | [www.ZaccariaUSA.com](http://www.ZaccariaUSA.com)

