

SDZ/CF-1S



Destoner
SDZ/CF-1S

ZACCARIA

SDZ/CF-1S

Model:
SDZ/CF-1S

Motor:
1.5 hp (1.1 kw)

Inlet capacity to brown rice*lbs. (k)g/hour:
Up to 15,400 (7000)

Pressure of compressed air power:
bar (kgf/cm²) PSI
8 115

Compressed air consumption:
(l/min) CFM
0.11 0.004

Air requirement:
Air flow required CFM (m³/min)
180 (5)

Approx. shipping volume cu. ft. (m³):
106 (3)

Approx. shipping weight lbs. (kg):
880 (400)

Dimension inches (mm):
Length - 41.3 (1050)
Width - 45.0 (1142)
Height - 91.9 (2335)



Note:
* Production capacity for beans and other grains please contact our office.

Indústrias Machina Zaccaria S/A reserves the right to change the information stated in this catalogue, including the color and details of the machine, without prior notice.

Destoner SDZ/CF-1S

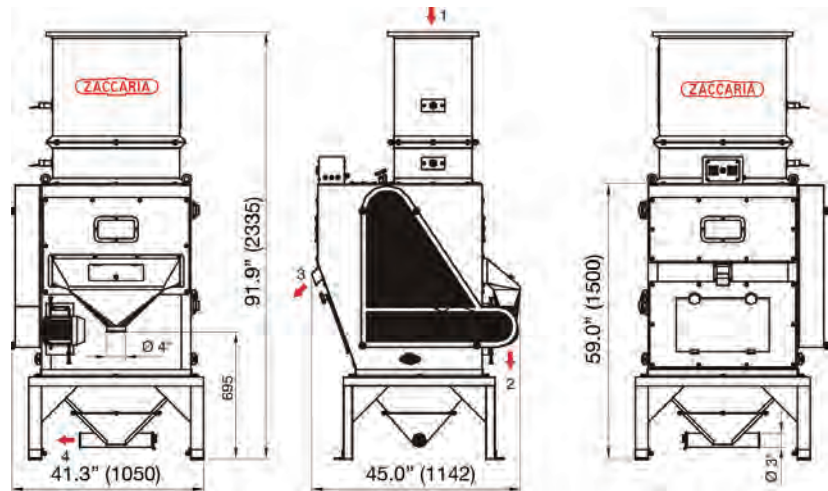
The Zaccaria Destoner model SDZ/CF-1 Super, was developed to separate heavy impurities from grains, including cereals and beans; such as stones, glass, and metal. The machine uses the density differential as a principle to separate such heavy waste, by vibratory action, deck inclination and airflow in a closed circuit system that ensures a high efficiency separation without the burden of dust filtration. The combination of these factors removes such impurities, providing a cleaner product for the next stages of the process.

Note: The raw material to be processed should contain a maximum of 1.5% heavy impurities.

TECHNICAL CHARACTERISTICS

- Feed hopper level sensors (hi and low) to ensure a constant flow;
- Flow control with a fine calibrated adjustment;
- Timers control the discharge of impurities by frequency and duration;
- Deck made of stainless steel;
- Adjustment for the deck inclination;
- Inspection windows for easy viewing of the separation;
- Sample collector at the product outlet;
- Connection port for dust extraction;
- Replacement parts (belts and bearings) can easily found on the market;
- Supplied with electric motor control panel.

- Note:**
- 1- Inlet product;
 - 2- Outlet product;
 - 3- Outlet impurities;
 - 4- Dust extraction.



OUR EXPERIENCE MAKES THE DIFFERENCE

ZACCARIA USA

4704 Glenwood Ln. Anna, Texas 75409 USA
Tel: 1 (972) 924-3443 | Fax: 1 (972) 499-2379
Email: ZaccariaUSA@gmail.com | www.ZaccariaUSA.com

