



Grains Pre-cleaner
and Cleaner
PLZ

ZACCARIA

PLZ

Grains Pre-cleaner and Cleaner PLZ-7 and PLZ-14

The Pre-Cleaner and Cleaner models PLZ-7 and PLZ-14 are initial equipment for cereal milling process, the equipment clean the grains and prepare the raw material for the subsequently processes, increasing the efficiency and quality of the same. By aspiration system, composed by a chamber and centrifugal ventilator, these equipment separates efficiently the lesser dense impurities. The separation of the high density impurities occurs by two sieves, removing large and small impurities.

Models:

PLZ-7 **PLZ-14**

Power / poles:

50 Hz:		60 Hz:		Sieve	Fan
4 kW / IV	3,7 kW / IV	50/60 Hz:	50/60 Hz:	1,5 kW / IV	3 kW / IV
5,5 hp / IV	5,0 hp / IV	2,0 hp / IV	4,0 hp / IV		

Capacity: Inlet paddy rice (kg/h):

Pre-cleaner	Cleaner	Pre-cleaner	Cleaner
7200	7200	14000	14000

Capacity: Inlet beans and maize (kg/h):

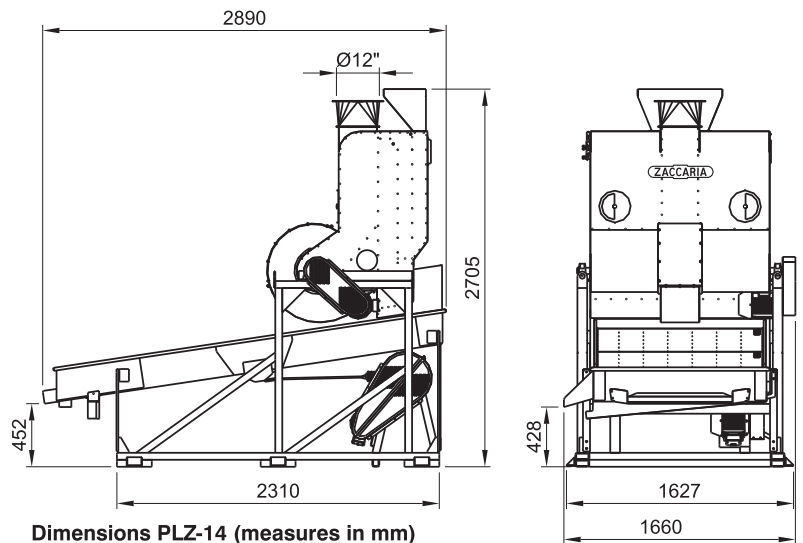
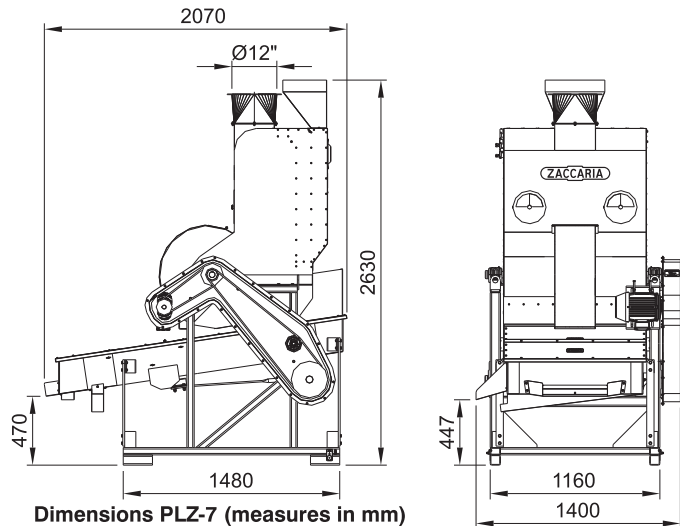
Pre-cleaner	Cleaner	Pre-cleaner	Cleaner
7200	7200	14000	14000

Approximate shipping weight (kg):

750	990
-----	-----

Approximat shipping volume (m³):

8,6	13,0
-----	------



- Screen holes measures for other kind of grains/varieties under consulting.

- The recommended inlet grains moisture for the best use is from 14 to 18% B. U. (Pre-cleaning) and from 12 to 13% B. U. (Cleaning)

- Production capacity for other cereals and leguminous, contact us.

Note: Equipment supplied originally without motor.

Industrias Machina Zaccaria S/A reserves the right to change information herein contained in this catalog, as well as the color of the equipment and other details without prior notice.

ZACCARIA

OUR EXPERIENCE MAKES THE DIFFERENCE

INDÚSTRIAS MACHINA ZACCARIA S/A

Rua Laranjal, 180
CEP: 13484-016 - Limeira - SP - Brasil
Phone: (55.19) 3404 5725
Fax: (55.19) 3404 5720

www.zaccaria.com.br
comex@zaccaria.com.br

