

BHZZX-25



Horizontal Whitener
BHZZX-25

ZACCARIA

BHZX-25

Model:

BHZX-25

.....

Motor:

20 hp (15 kw)

.....

Output capacity lbs. (kg)/hour:

Up to 1980 (900)

.....

Approx. shipping volume cu. ft. (m³):

78 (2.2)

.....

Approx. shipping weight lbs. (kg):

891 (405)

.....

Dimensions inches (mm):

Length 45.8 (1175)

Width 33.2 (850)

Height 86.2 (2210)

Horizontal Whitener BHZX-25

Zaccaria has a solution for each capacity range. The ZX series machines were developed to meet the requirements of those who are in the rice business and process up to 5500 lbs. (2500 kg)/hour input of paddy, with equipment with low power consumption and excellent yields, providing a final product of high quality.

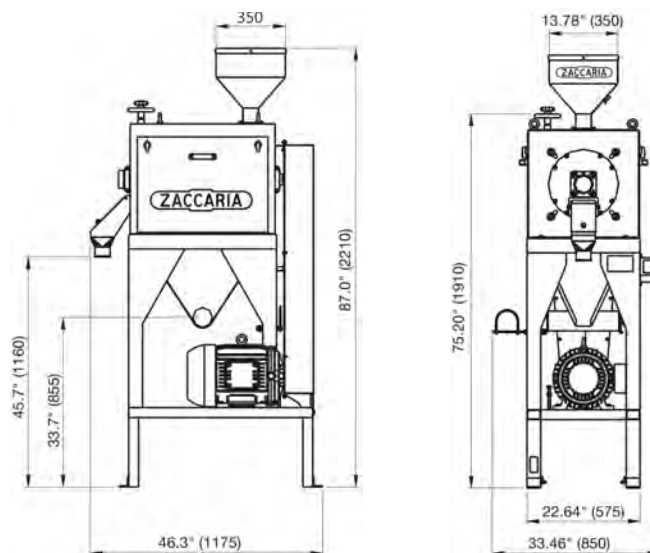
The Horizontal Whitener, model BHZX-25, has a simple design, is compact and is easy to operate. It has all the characteristics and qualities of our large machines, ensuring minimum kernel breakage. It removes the bran layer and germ from rice grains with extremely high efficiency in a single pass, providing an excellent surface finish to the rice.

MAIN FEATURES

- Four abrasive rings with horizontal orientation;
- Uses four rubber resistance brakes;
- Resistance brakes are simultaneously adjusted by a single control;
- Bran is extracted by a pneumatic conveying system;
- Easy replacement of wear parts.

ADVANTAGES

- Permits modular assembly;
- Permits full control of the process;
- Easy maintenance;
- Easy internal sanitation;
- Low grain breakage rate;
- Compact design;
- Low power consumption.



OUR EXPERIENCE MAKES THE DIFFERENCE

ZACCARIA USA

4704 Glenwood Ln. Anna, Texas 75409 USA

Tel: 1 (972) 924-3443 | Fax: 1 (972) 499-2379

Email: ZaccariaUSA@gmail.com | www.ZaccariaUSA.com



.....
Indústrias Machina Zaccaria S/A reserves the right to change the information stated in this catalogue, including the color and details of the machine, without prior notice.